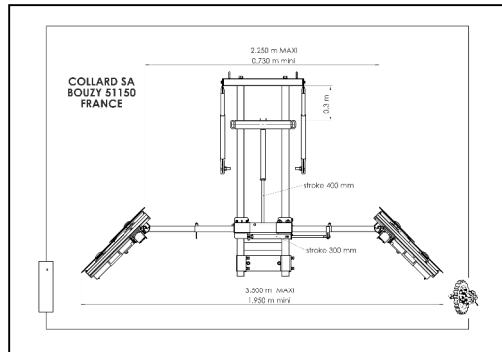
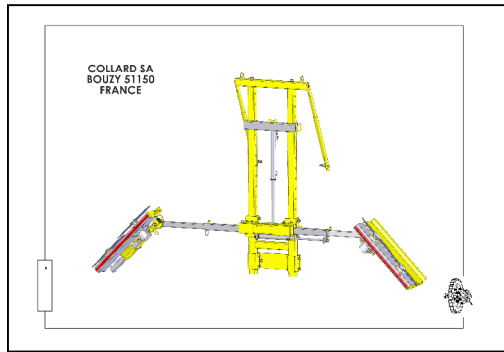


AUSVINE MACHINERY PTY LTD
COLLARD TRIMMER PROFILMATIC® 2000

REF. P2000 Ref. 0137 0200

Hydraulic Adjustment



- ◆ Vine Trimmer that operates $2\frac{1}{2}$ **rows** at a time,
- ◆ Equipped with a special frame,
- ◆ Equipped with **2 hydraulic motors** 10cc (position 1).
- ◆ Both elements mounted on a spring detent break back arm to protect machine frame from impact damage

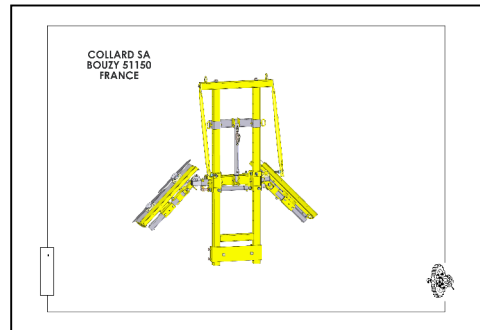
- ◆ Equipped with **2 Hydraulic adjustments** :
 - . UP/DOWN : 400mm + Safety valve,
 - . IN/OUT : 300mm only **for ONE side** (the other side is manual),
 - . Requires three sets of Tractor aux hydraulic couplings

- ◆ Manual adjustment for angle from 0° to 45°,
- ◆ 2 x 480mm stainless steel blades cutting element = **0.88m**,
- ◆ With hoses only the UP/DOWN cylinder,
- ◆ Without any distributor,
- ◆ With storage support,
- ◆ With braces,

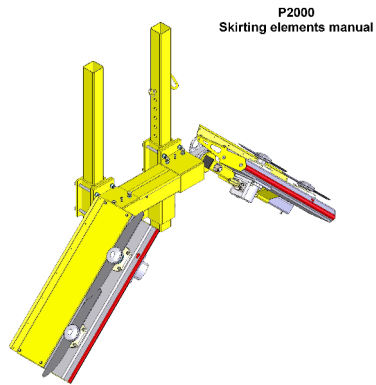
OPTIONS:

Code: 0000 3031

- ◆ Electric controls distributor with its joystick



AUSVINEMACHINERY PTY LTD
COLLARD TRIMMER PROFILMATIC® 2000
REF. P2000 Ref. 0137 0050



- ◆ Vine Trimmer that operates $2\frac{1}{2}$ **rows** at a time,
- ◆ Equipped with a special frame,
- ◆ Equipped with **hydraulic motors** 10cc (position 1).
- ◆ Both elements mounted on a spring detent break back arm to protect machine frame from impact damage
- ◆ Equipped with **3 MANUAL adjustments**.
 - . Independent IN/OUT : 785mm each,
 - . Angle 0° to 45°,
 - . UP/DOWN : 500mm
- ◆ Without distributor,
- ◆ With hydraulic block,
- ◆ 2 x 480mm stainless steel blades cutting element = **0.88m**,
- ◆ With storage support,
- ◆ Without braces,

Code : 0137 0050 :

